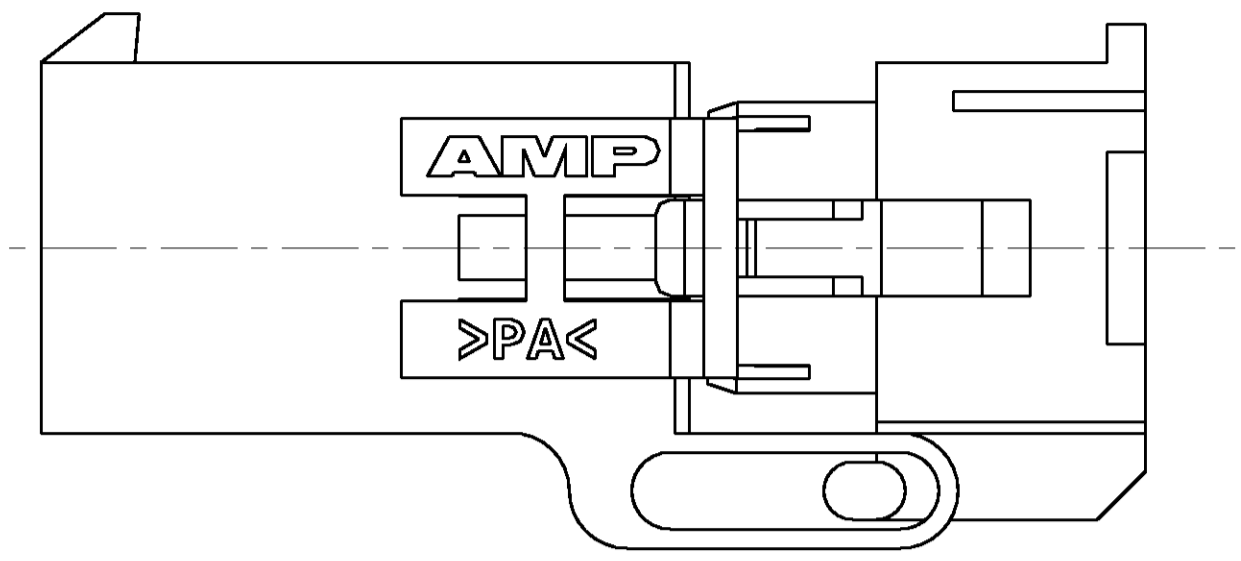
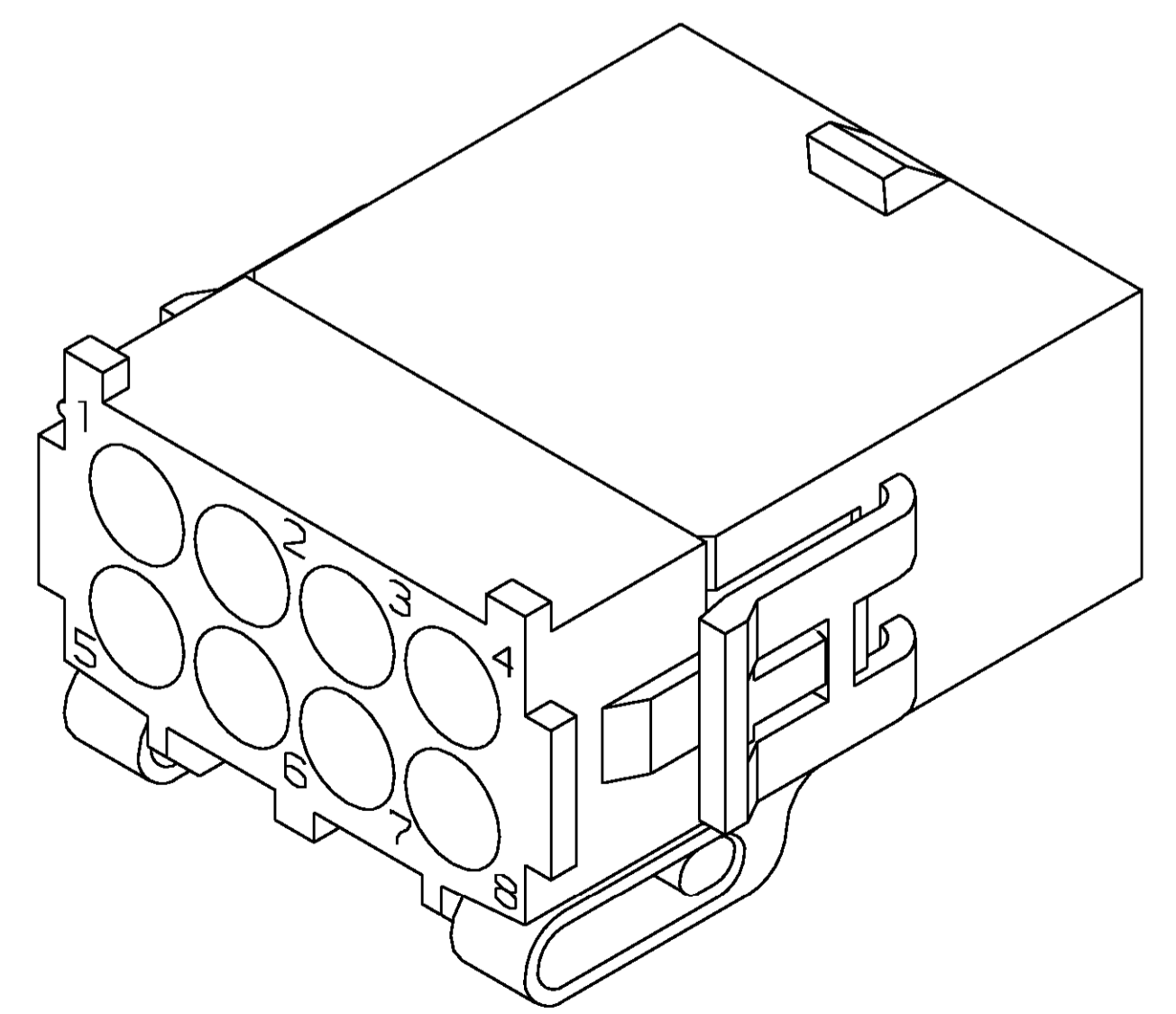
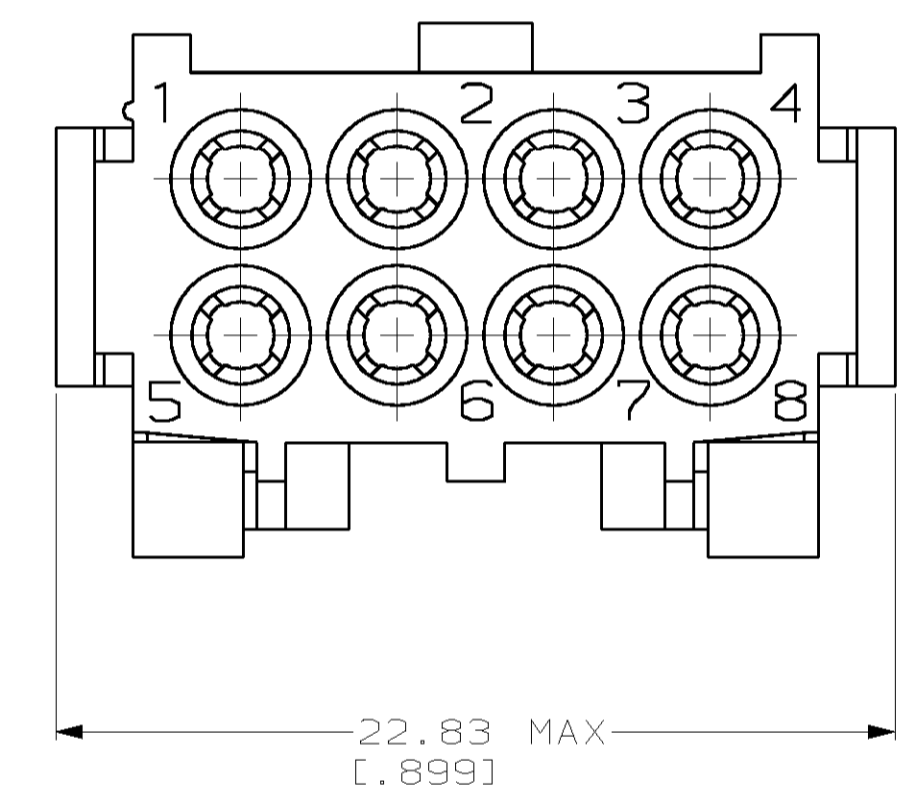
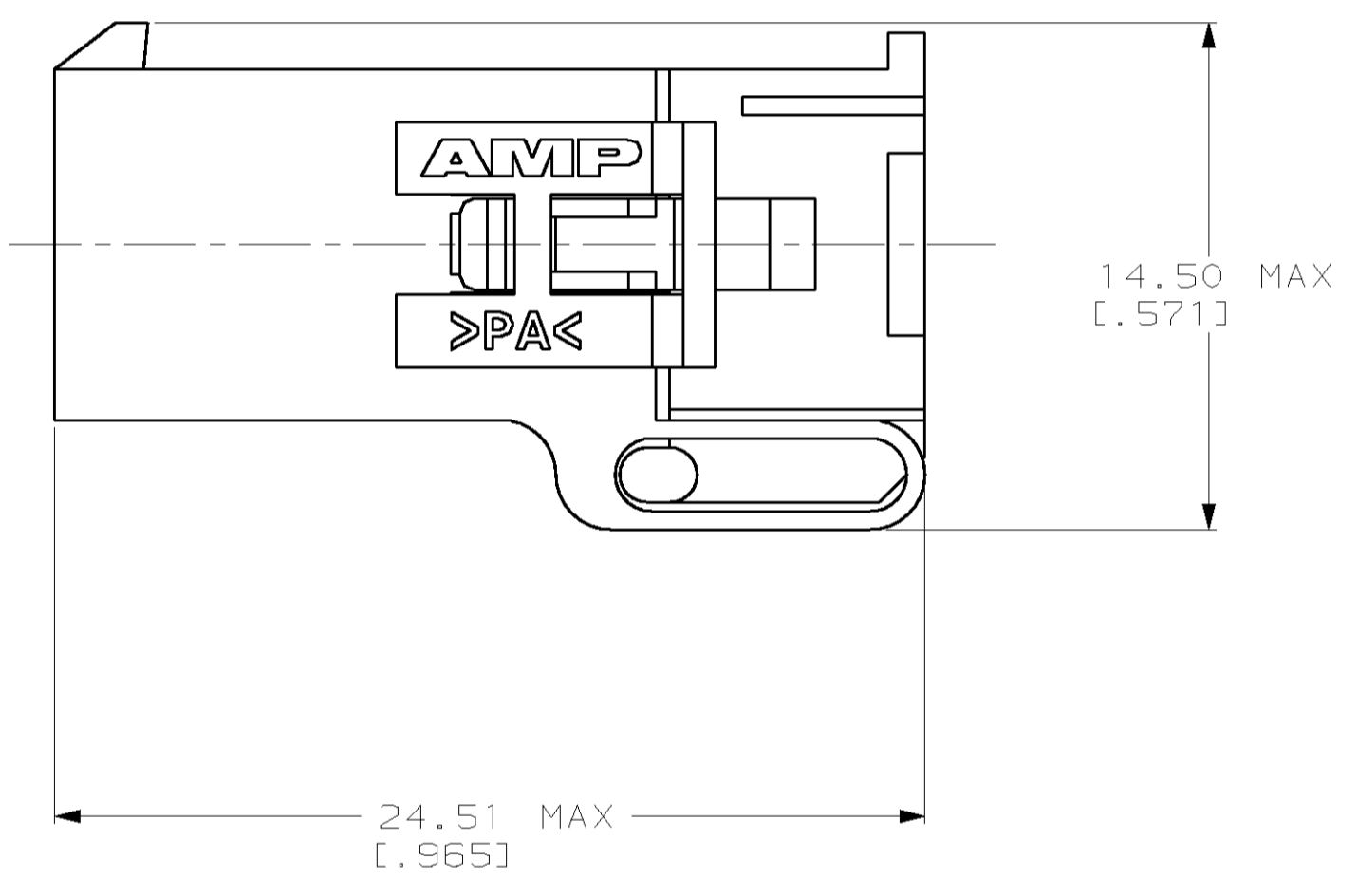
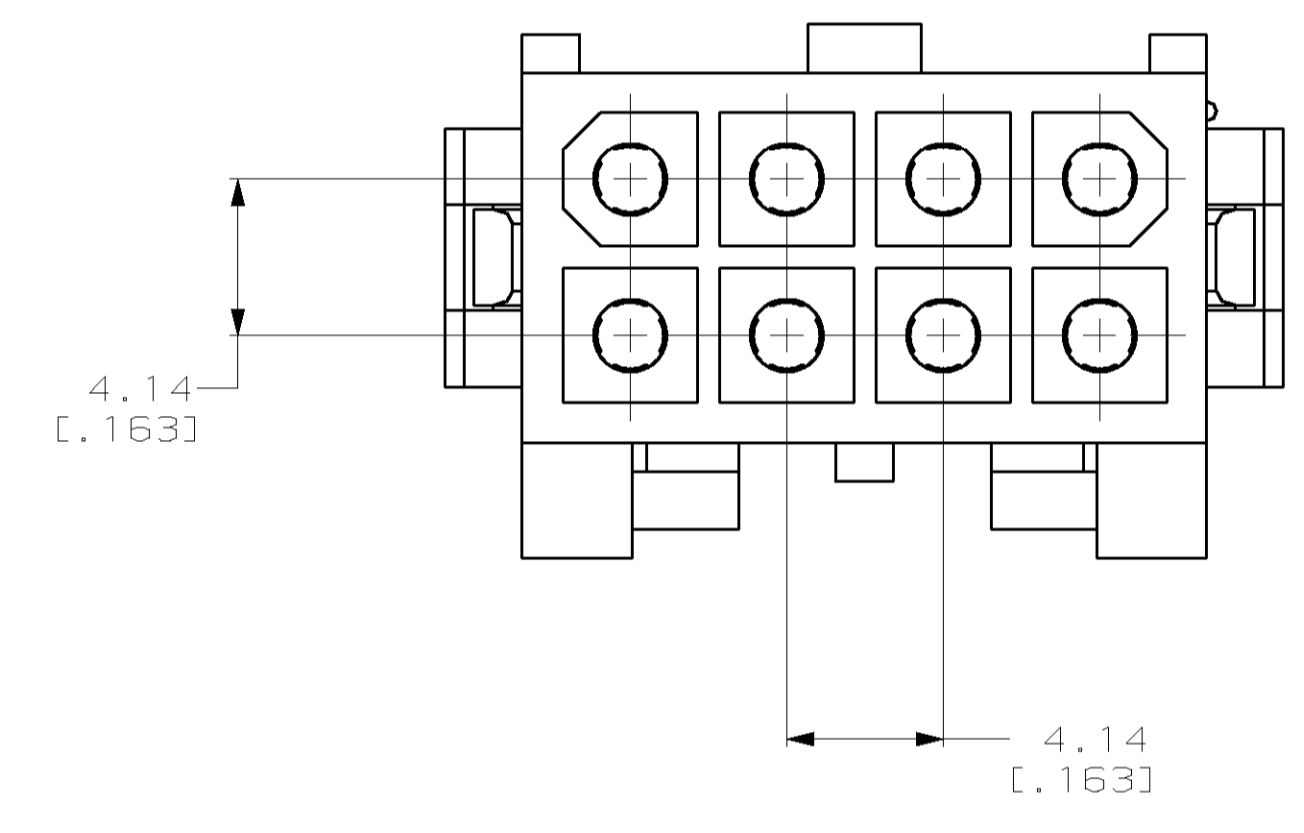


LOC		DIST		REVISIONS			
F	CHR	DATE	BY	APPROV	DESCRIPTION	DATE	BY
B		23-SEP-99	KW	KC	REV PER EC 061B-0094-99		



PRE-STAGED CONDITION

1. DIMENSIONS IN BRACKETS ARE IN INCHES.



3-DIMENSIONAL MODEL
NTS

794246-1
PART NUMBER

METRIC

THIS DRAWING IS A CONTROLLED DOCUMENT.		DWN K. WHITAKER 5-13-97	AMP AMP Incorporated Harrisburg, PA 17105-3608
DIMENSIONS:		CHK R. SWING 5-13-97	
mm	TOLERANCES UNLESS OTHERWISE SPECIFIED:	APPROV R. ORSTAD 5-13-97	NAME CAP, 8 CIRCUIT, MINI UNIVERSAL MATE-N-LOK™ 2
0 PLC	±	PRODUCT SPEC	SIZE A1
1 PLC	±	APPLICATION SPEC	CAGE CODE 00779
2 PLC	±	WEIGHT	DRAWING NO 794246
3 PLC	±0.13 (0.005)	CUSTOMER DRAWING	RESTRICTED TO
4 PLC	±	SCALE 5:1	SHEET 1 OF 1
ANGLES	±	REV B	
MATERIAL NYLON, UL 94V-2,NATURAL	FINISH -		